

## Features:

### Leading-edge Technology

- DC input voltage up to 1000v
- Dual MPPT inputs accommodating wide voltage range
- Transformerless - minimizing size and weight
- Maximum Efficiency 98%
- Integrated DC switch

### Flexibility

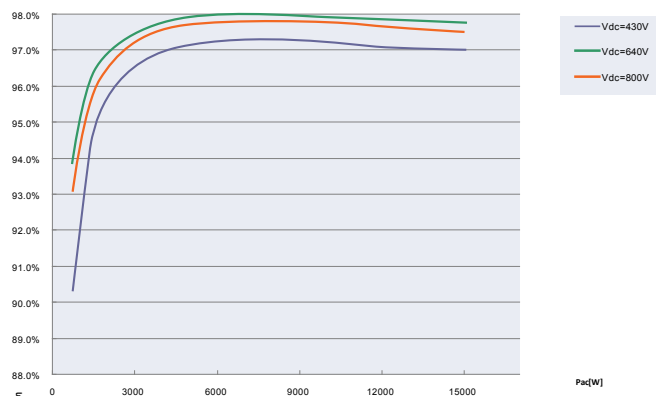
- Use for indoor and outdoor (IP65)
- "Plug and play" connection for easy installation and maintenance
- Multi-lingual display
- Simple national setting  
Automatic country configuration

### Built to Last

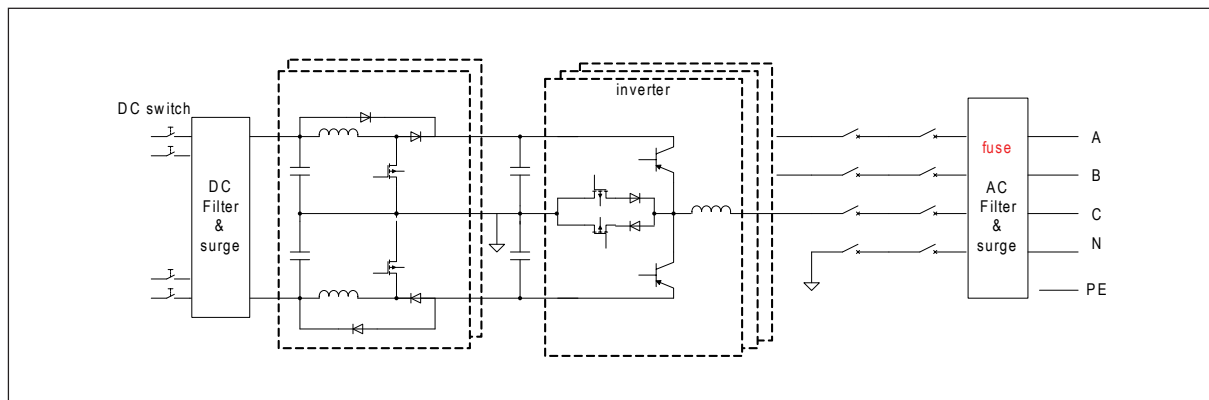
- Stainless steel housing  
Automatic protection including over voltage, islanding, short circuit, overload and under voltage, under load, etc.  
5 years standard warranty, up to 20 years warranty extension.



SolarLake 17000TL Efficiency



SolarLake 17000TL Topology



## Datasheet

Inverter Model	SolarLake 10000TL	SolarLake 12000TL	SolarLake 15000TL	SolarLake 17000TL
<b>Input (DC)</b>				
Max. PV power [W]	11500	13800	17300	19600
Max. DC power [W]	10400	12500	15600	17700
Max. DC voltage [V]	1000	1000	1000	1000
Max. input current [A]	A: 16 / B:16	A: 16 / B:16	A:20 / B:20	A:20 / B:20
Number of MPP trackers / strings per MPP tracker	2 / 2	2 / 2	2 / 2	2 / 2
MPPT voltage range (at rated power) [V]	320~800	380~800	380~800	430~800
Shutdown voltage / Start voltage [V]	160 / 210	160 / 210	160 / 210	160 / 210
<b>Output (AC)</b>				
AC nominal power [W]	10000	12000	15000	17000
Max. AC power [W]	10000	12000	15000	17000
Max. AC current [A]	16	19.2	24	25
Nominal AC voltage [V]	3 / N / PE,230 / 400	3 / N / PE,230 / 400	3 / N / PE,230 / 400	3 / N / PE,230 / 400
AC grid frequency / range [Hz]	50	50	50	50
Power factor (cosφ), adjustable	0.9 leading ... 0.9 lagging	0.9 leading ... 0.9 lagging	0.9 leading ... 0.9 lagging	0.9 leading ... 0.9 lagging
Total harmonic distortion (THDi) (at nominal power)	<3%	<3%	<3%	<3%
<b>Efficiency</b>				
Max. Efficiency	97.9%	97.9%	98.0%	98.0%
Euro-efficiency	97.4%	97.4%	97.6%	97.6%
MPPT efficiency	99.9%	99.9%	99.9%	99.9%
<b>General data</b>				
Dimensions(W / H / D) [mm]	520 / 716 / 230	520 / 716 / 230	520 / 716 / 230	520 / 716 / 230
Weight [kg]	50	50	50	50
Operating temperature range [°C]	-20~+60(derating at 45°C)	-20~+60(derating at 45°C)	-20~+60(derating at 45°C)	-20~+60(derating at 45°C)
Ingress protection	IP65	IP65	IP65	IP65
Topology	Transformerless	Transformerless	Transformerless	Transformerless
Internal consumption(night) [W]	<5	<5	<5	<5
Cooling concept	Fan	Fan	Fan	Fan
Noise (typical) [dB]	<47	<47	<47	<47
Display	3.5 inch,TFT-LCD	3.5 inch,TFT-LCD	3.5 inch,TFT-LCD	3.5 inch,TFT-LCD
Communication port	RS485(standard); RS232/ USB/ Ethernet / CAN(optional)	RS485(standard); RS232/ USB/ Ethernet / CAN(optional)	RS485(standard); RS232/ USB/ Ethernet / CAN(optional)	RS485(standard); RS232/ USB/ Ethernet / CAN(optional)
Standard warranty [year]	5	5	5	5
Grid management	Yes	Yes	Yes	Yes
DC switch	Integrated	Integrated	Integrated	Integrated
<b>Inverter Model</b>	<b>SolarLake 10000TL</b>	<b>SolarLake 12000TL</b>	<b>SolarLake 15000TL</b>	<b>SolarLake 17000TL</b>