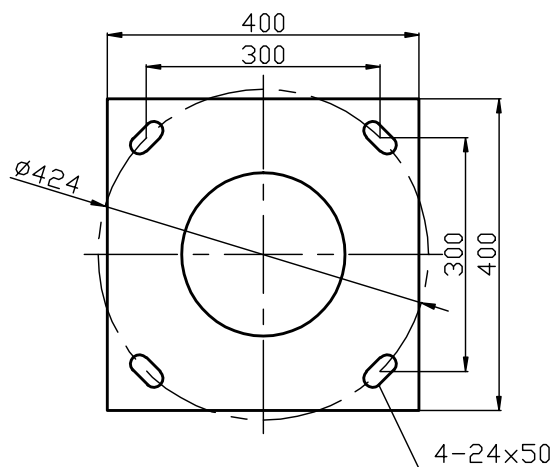


底板尺寸



TECHNICAL REQUIREMENTS:  
 1. ALL DIMENSIONS ARM IN MILIMETER  
 2. THICKNESS OF GALVANIZED  $\geq 85\mu\text{m}$



Ningbo Star Solar Co.,Ltd.

PRODUCT NAME		10M POLES-1		
DESIGN	S Q	MATERIAL	Q235	
		QUANTITY		
APPROVAL		09.09.01	WEIGHT	224 kg