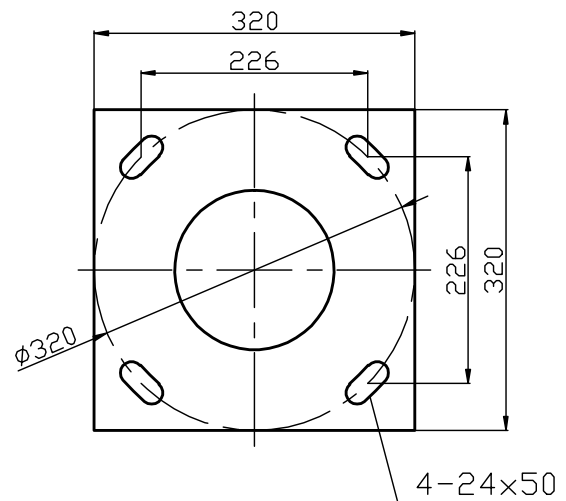




底板尺寸



TECHNICAL REQUIREMENTS:
 1. ALL DIMENSIONS ARE IN MILLIMETER
 2. THICKNESS OF GALVANIZED $\geq 85\mu\text{m}$



Ningbo Star Solar Co., Ltd.

PRODUCT NAME		8 M POLES-1		
DESIGN	S Q	MATERIAL	Q235	
		QUANTITY		
APPROVAL		09.09.01	WEIGHT	130 kg