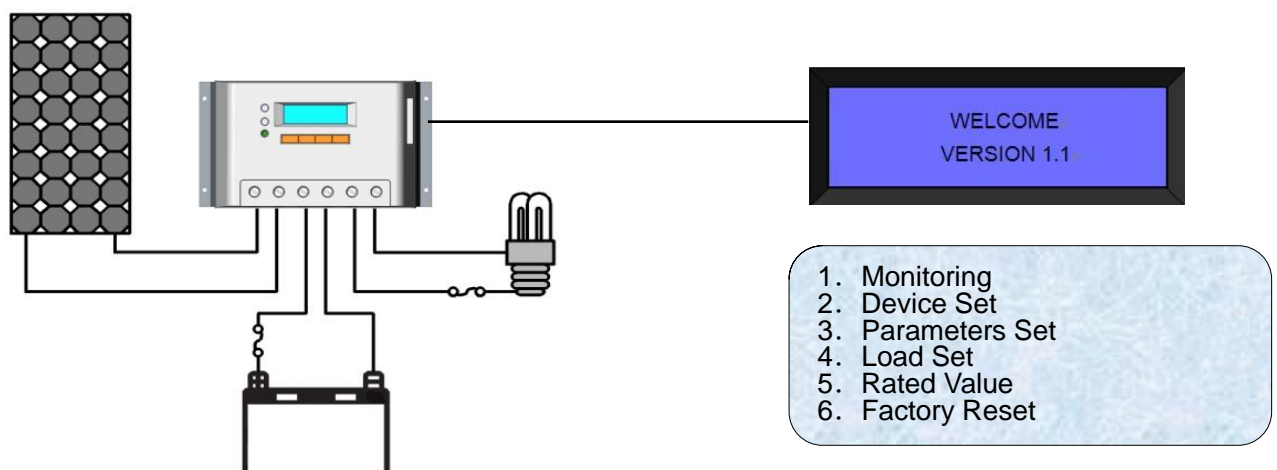


## ViewStar series



ViewStar series solar controller is our new generation controller for off-grid solar system , such as street light, solar home system or small power station etc., It has LCD display, reliable battery charging, full electronic protection, programmable parameters and other features and powerful function.



## ViewStar series

### Features:

- ◆ Excellent EMC design
- ◆ 32 bit MCU with high speed
- ◆ High efficient Series PWM charging
- ◆ Gel, Sealed and Flooded battery type option
- ◆ Widely used, automatically recognize day/night
- ◆ 12 bit A/D high-precision sampling to ensure accuracy
- ◆ Use MOSFET as electronic switch
- ◆ Full control parameters setting and modification, diversified load control mode
- ◆ Humanized design of browser interface, undertake every operating conveniently
- ◆ Temperature compensation
- ◆ Adopt graphics dot-matrix LCD screen and HMI (human-machine interface) with 4 buttons, integrated menu displaying and operation
- ◆ Electronic protection: Overheating, over charging, over discharging, overload, and short circuit
- ◆ Reverse protection: any combination of solar module and battery

Technical parameters:

Battery Voltage Parameters (temperature at 25°C)			
Battery charging setting	Gel	Sealed	Flooded
Equalize Charging Voltage	—	14.6V;x2/24V	14.8V;x2/24V
Boost Charging Voltage	14.2V;x2/24V	14.4V;x2/24V	14.6V;x2/24V
Float Charging Voltage	13.8V;x2/24V	13.8V;x2/24V	13.8V;x2/24V
Low Voltage Reconnect Voltage	12.6V;x2/24V	12.6V;x2/24V	12.6V;x2/24V
Low Voltage Disconnect Voltage	11.1V;x2/24V	11.1V;x2/24V	11.1V;x2/24V

Voltage parameters are default value at 25°C, 12V, please use 2X (24V system), 3X (36V system),4X (48V system)

## ViewStar series

Specification:

Model No:	VS5048N
Rated Current Load	50A
Nominal System Voltage	12V 24V 48V Auto
Maximum Battery Voltage	32V
Maximum PV Voltage	48V
Rated Battery Current (A)	50A
Charge Circuit Voltage Drop	$\leq 0.24V$
Discharge Circuit Voltage Drop	$\leq 0.16V$
Self-consumption	$\leq 44mA$
Communication	TTL232 level /RJ45 interface(Optional)
Remote temperature sensor interface	2ERJ—3.81
Ground	Negative to the ground
Working temperature	-20°C~ +55°C
Storage temperature	-30°C~ +80°C
Enclosure	IP30
Terminal	35mm <sup>2</sup>
Net Weight	1.3kgs