

EIPIC-COM series



EIPIC-COM

Solar home system controller

Rated Current: 10A

System Voltage: 12/24V Auto Work

EIPIC-COM series can provide long distance surveillance. With remote meter MT-2 optional..

- Intelligent System Optimum Control
- 12/24V auto work
- Battery type selection through MT-2
- High efficient Series PWM charging
- Local external temperature compensation
- Remote temperature sensor optional
- Use MOSFET as electronic switch, without any mechanical switch
- Remote meter MT-2 optional
- Load and battery status indicators
- Electronic protection: over charging, over discharging, short circuit, battery reverse polarity protection



Application :

- ★ Rural communication system
- ★ Traffic system
- ★ Solar home system etc.



Model selection:

EIPC-COM 10A, 12/24V AUTO

Ideal for off-grid solar system up to 120W, 12V or 270W, 24V

Our Advantage:

- ★ Sophisticated R&D has over 20 years research experience's and works in close collaboration with Beihang University.
- ★ Professional technical and service team
- ★ Using world top class electronic components; all the components are industrial grade
- ★ High quality products with reasonable price; the failure rate is less than 2 per1000 pcs
- ★ Practical application in more than 120 countries
- ★ Expected 10 years lifetime
- ★ 2 years warranty

Electrical parameters

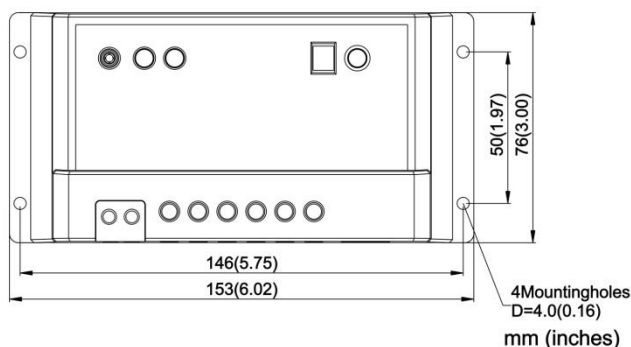
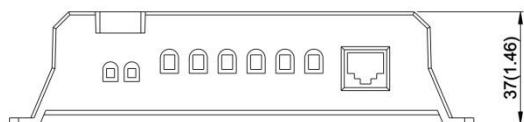
System voltage	12 / 24VDC Auto work
Nominal battery current	10A
Charge circuit voltage drop	≤0.26V
Discharge circuit voltage drop	≤0.15V
Self consumption	≤6mA

Battery voltage parameters (temperature at 25°C)

Battery charging setting	Sealed	Flooded	Gel
Equalize charging voltage	14.4 V;x2/24V	14.6V;x2/24V	14.8V;x2/24V
Boost charging voltage	14.2V;x2/24V	14.4V;x2/24V	14.6V;x2/24V
Float charging voltage	13.7V;x2/24V	13.7V;x2/24V	13.7V;x2/24V
Boost Reconnect charging voltage		13.2V	
Low voltage disconnect voltage		11.1V	
Low voltage reconnect voltage		13.1V	
Meterbus connection		8-pin RJ-45	
Temp. compensation		-30mv/°C/12V	

Environmental parameters

Working temperature	-35°C to +55°C
Humidity	10%-90% NC
Enclosure	IP30
Terminal	4mm ²
Net weight	0.15KG



Mechanical Dimension EIPPC-COM