

**EPSOLAR**

**SS1024 / SS1524 / SS2024**

— Moisture proof solar controller

# INSTRUCTION MANUAL

Thank you very much for selecting our product!

This manual offers important information and suggestions with respect to installation, use and troubleshooting, etc. Please read this manual carefully before using the product and pay attention to the safety recommendations in it.

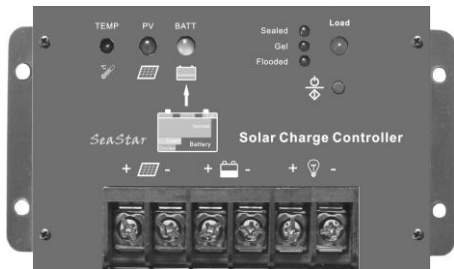
**PATENTED PRODUCT, COUNTERFEITING NOT ALLOWED!**



# SeaStar

## SS1024 / SS1524 / SS2024

— Moisture proof solar controller



### Specification Summary

Nominal system voltage	12 / 24VDC*
Maximum PV input voltage	50V
Nominal charge / discharge current	
SS1024	10A
SS1524	15A
SS2024	20A

\* The controller will recognize the system rated voltage when start up. If the battery voltage is lower than 18V, it will recognize the system as 12V. If the battery voltage is greater than 18V, it will recognize the system as 24V.

# Contents

1 Important Safety Information .....	1
2 General Information .....	2
2.1 Product Overview .....	2
2.2 Product Features .....	3
3 Installation Instructions .....	4
3.1 General Installation.....	4
3.2 Mounting .....	5
3.3 Wiring .....	6
4 Operation.....	10
4.1 PWM Technology.....	10
4.2 Battery Charging Information .....	10
4.3 LED Indicators .....	12
4.4 Setting Operation.....	15
5 Protection, Troubleshooting and Maintenance.....	16
5.1 Protection .....	16
5.2 Troubleshooting.....	17
5.3 Maintenance .....	19
6 Warranty .....	20
7 Technical specifications .....	21

# 1 Important Safety Information

## Save These Instructions

This manual contains important safety, installation and operating instructions.

The following symbols are used throughout this manual to indicate potentially dangerous conditions or mark important safety instructions, please take care when meeting these symbols.



**WARNING:** Indicates a potentially dangerous condition.  
Use extreme caution when performing this task.



**CAUTION:** Indicates a critical procedure for safe and  
Proper operation of the controller.



**NOTE:** Indicates a procedure or function that is important  
for the safe and proper operation of the controller.

## General Safety Information

- Read all of the instructions and cautions in the manual before beginning installation.
- There are no user serviceable parts inside the controller. Do not disassemble or attempt to repair it.
- Install external fuses/breakers as required.
- Disconnect the solar module and fuse/breakers near to battery before installing or adjusting the controller.
- Do not allow water to enter the controller.
- Confirm that power connections are tightened to avoid excessive heating from loose connection.

## 2 General Information

### 2.1 Product Overview

Thank you for selecting SeaStar series Moisture proof solar controller

that adopts the most advanced digital technique and operates fully automatically. The

Pulse Width Modulation (PWM) battery charging can greatly increase the lifetime of

battery. It has various unique functions and quite easy to use, such as:

- With aluminum case, circuit board encapsulation. Ideal for marine application
- 12/24V automatic recognition
- High efficient Series PWM charging, increase the battery lifetime and improve the solar system performance.
- Use MOSFET as electronic switch, without any mechanical switch.
- Gel, Sealed and Flooded battery type option.
- Adopt temperature compensation, correct the charging and discharging parameters automatically and improve the battery lifetime.
- Electronic protection: Overheating, over charging, over discharging, overload, and short circuit.
- Reverse protection: any combination of solar module and battery.

The controller is for off-grid solar system, and protects the battery from being over charged by the solar module and over discharged by the loads. The charging process has been optimized for long battery life and improved system performance. The comprehensive self-diagnostics and electronic protection functions can prevent damage from installation mistakes or system faults.

Though the controller is easy to operate and use, please take your time to read this manual and become familiar with it. This will help you make full use of all the functions and improve your solar PV system.

## 2.2 Product Features

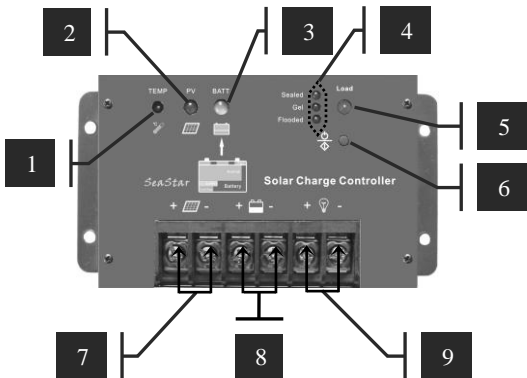


Figure 2-1 SeaStar characteristics

### 1 – Temperature Sensor

Measure ambient temperature and make temperature compensation for charging and discharging.

### 2 – Charging status LED indicator

An LED indicator that shows charging status and also indicates when battery voltage is higher than over voltage disconnect voltage.

### 3 – Battery status LED indicator

An LED indicator that shows battery status

### 4 – Battery type indicator

Corresponding indicator will be on when select Sealed, Gel or Flooded battery.

5 – Load status indicator

Display the load status.

6 – Setting button

Control the load ON / OFF and select the battery type.

7 – Solar Module Terminals

Connect solar modules.

8 – Battery Terminals

Connect batteries.

9 – Load Terminals

Connect loads.

## **3 Installation Instructions**

### **3.1 General Installation Notes**

- Read through the entire installation section first before beginning installation.
- Be very careful when working with batteries. Wear eye protection. Have fresh water available to wash and clean any contact with battery acid.
- Use insulated tools and avoid placing metal objects near the batteries.
- Explosive battery gasses may be present during charging. Be certain there is sufficient ventilation to release the gasses.
- Avoid direct sunlight and do not install in locations where water can enter the controller.
- Loose power connections and/or corroded wires may result in resistive connections that melt wire insulation, burn surrounding materials, or even cause fire. Ensure tight connections and use cable clamps to secure cables and prevent them from swaying in mobile applications.
- Use with Gel, Sealed or Flooded batteries only.
- Battery connection may be wired to one battery or a bank of batteries. The following instructions refer to a singular battery, but it is implied that the battery connection can be made to either one battery or a group of batteries in a battery bank.
- Select the system cables according to  $3A/mm^2$  current density.



## 3.2 Mounting



**NOTE:** When mounting the controller, ensure free air through the controller heat sink fins. There should be at least 6 inches (150 mm) of clearance above and below the controller to allow for cooling. If mounted in an enclosure, ventilation is highly recommended.



**WARNING:** Risk of explosion! Never install the controller in a sealed enclosure with flooded batteries! Do not install in a confined area where battery gassed can accumulate.

### Step 1: Choose Mounting Location

Locate the controller on a vertical surface protected from direct sun, high temperature, and water. And make sure good ventilation.

### Step 2: Check for clearance

Place the controller in the location where it will be mounted. Verify that there is sufficient room to run wires and that there is sufficient room above and below the controller for air flow.

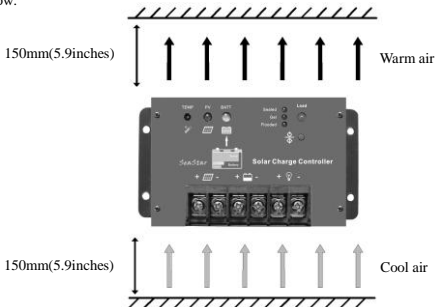


Figure 3-1 Mounting and cooling

### Step 3: Mark Holes

Use a pencil or pen to mark the four (4) mounting hole locations on the mounting surface.

### Step 4: Drill Holes

Remove the controller and drill 4mm holes in the marked locations.

### Step 5: Secure Controller

Place the controller on the surface and align the mounting holes with the drilled holes in step 4.

Secure the controller in place using the mounting screws.

## 3.3 Wiring



**NOTE:** A recommended connection order has been provided for maximum safety during installation.



**NOTE:** The controller is a common positive ground controller.



**CAUTION:** Don't connect the loads with surge power exceeding the ratings of the controller.



**CAUTION:** For mobile applications, be sure to secure all wiring. Use cable clamps to prevent cables from swaying when the vehicle is in motion. Unsecured cables create loose and resistive connections which may lead to excessive heating and/or fire.

### Step1: Battery Wiring



**WARNING:** Risk of explosion or fire! Never short circuit battery positive (+) and negative (-) or cables.

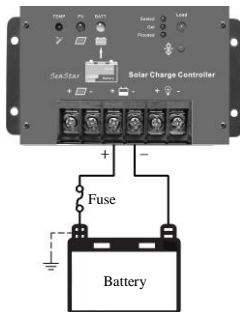


Figure 3-2 Battery connecting

Before battery is connected, make sure that battery voltage is greater than 6V so as to start up the controller. If system is 24V, make sure battery voltage is not less than 18V. System voltage can only be automatically recognized when controller start up for the first time. When install fuse, make sure that the biggest distance between the fuse holder and the positive terminal of battery is 150mm. Do not insert a fuse at this time. Confirm the connection correct and turn on the power.

## Step 2: Load Wiring

The controller loads can be connected to such electrical equipments as lights, pumps, motors and others. Controller offers power to loads through the battery voltage.

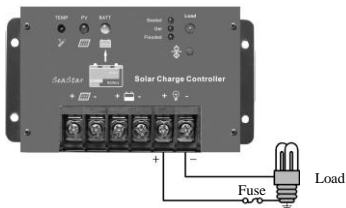


Figure 3-3 Load Wiring

Connect the positive (+) and negative (-) of loads to controller load terminals as shown in Figure 3-3. The load terminal may exist voltage, connect carefully to avoid short circuit. An in-line fuse holder should be wired in series in the load positive (+) or negative (-) wire as show in Figure 3-3. Do not insert a fuse at this time. Confirm the connection correct and turn on the power.

If wiring the load connection to a load distribution panel, each load circuit should be fused separately. The total load draw should not exceed the load rated current of controller.

### Step 3: Solar wiring



**WARNING: Risk of electric shock! Exercise caution when handling solar wiring. The solar module(s) high voltage output can cause severe shock or injury. Be careful operation when installing solar wiring.**

The controller can accept 12V, 24V nominal off-grid solar module(s). Grid-tie solar module(s) may be used if the open circuit voltage of solar module doesn't exceed the Maximum PV input voltage of the controller.

The solar module(s) work voltage must be equal to or greater than the system voltage.

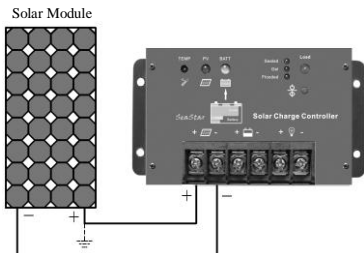


Figure 3-4 Solar wiring

#### Step 4: Confirm Wiring

Double-check the wiring in step1 through 3. Confirm correct polarity at each connection. Verify that all six terminals are tightened.

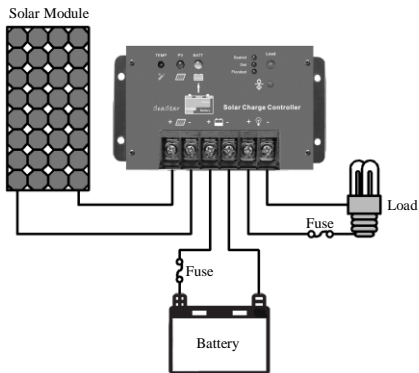


Figure 3-5 System wiring review

#### Step 5: Install Fuse

Install a suitable fuse in each fuse holder in the following order:

1. Battery circuit
2. Load circuit

#### Step 6: Confirm power on

When battery power is applied and the controller starts up, the battery LED indicator will be green.

If the controller doesn't start up, or the battery status LED error exists, please refer to section 5 for troubleshooting.

## 4 Operation

### 4.1 PWM Technology (Series Pulse Width Modulation)

The controller adopts the advanced series pulse width modulation (PWM) charging mode. With range of 0-100%, it can charge the battery quickly and stably under any condition of solar photovoltaic system.

PWM charging mode use automatic conversion duty ratio pulses current to charge the battery. The battery can be fully charged safety and rapidly with the pulse current. Intermissions make some oxygen and hydrogen generated by chemical reaction chemically combined again and absorbed. It can eliminate concentration polarization and ohm polarization naturally and reduce the internal pressure of the battery so that the battery can absorb more power. Pulse current charging mode makes battery have more time to react, which reduces the gassing volume and makes battery improve the acceptance rate of charging current.

### 4.2 Battery Charging Information

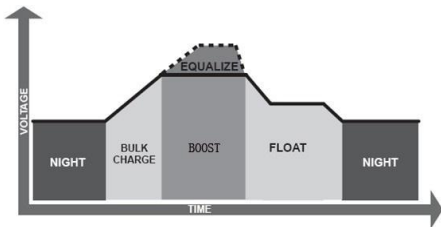


Figure 4-1 PWM Charging mode

#### **Bulk Charge**

In this stage, the battery voltage has not yet reached boost voltage and 100% of available solar power is used to charge the battery.

## **Boost Charge**

When the battery has recharged to the Boost voltage setpoint, constant- current regulation is used to prevent heating and excessive battery gassing. The Boost stage remains 120 minutes and then goes to Float Charge.

## **Float Charge**

After the battery is fully charged in Boost voltage stage, the controller reduces the battery voltage to Float voltage set point. When the battery is fully recharged, there will be no more chemical reactions and all the charge current transmits into heat and gas at this time. Then the controller reduces the voltage to the floating stage, charging with a smaller voltage and current. It will reduce the temperature of battery and prevent the gassing, also charging the battery slightly at the same time. The purpose of Float stage is to offset the power consumption caused by self consumption and small loads in the whole system, while maintaining full battery storage capacity.

In Float stage, loads can continue to draw power from the battery. In the event that the system load(s) exceed the solar charge current, the controller will no longer be able to maintain the battery at the Float setpoint. Should the battery voltage remains below the boost reconnect charging voltage, the controller will exit Float stage and return to Bulk charge.

## **Equalize Charge**



### **WARNING: Risk of explosion!**

**Equalizing flooded battery can produce explosive gases, so well ventilation of battery box is necessary.**



### **NOTE: Equipment damage!**

**Equalization may increase battery voltage to the level damaging to sensitive DC loads. Ensure that all load allowable input voltages are greater than the equalizing charging set point voltage.**

**NOTE: Equipment damage!**



**Over-charging and excessive gas precipitation may damage the battery plates and activate material shedding on them. Too high an equalizing charge or for too long may cause damage. Please carefully review the specific requirements of the battery used in the system.**

Certain types of batteries benefit from periodic equalizing charge, which can stir the electrolyte, balance battery voltage and complete chemical reaction. Equalizing charge increases the battery voltage, higher than the standard complement voltage, which gasifies the battery electrolyte.

If the battery is being over discharged, the solar controller will automatically turn to equalize charging stage, and the equalize stage remain 120mins. Equalize charge and boost charge are not carried out constantly in a full charge process to avoid too much gas precipitation or overheating of battery.

### 4.3 LED Indicators

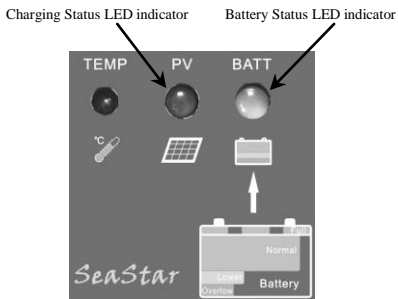


Figure 4-2 LED indicators



### ● Charging Status indicator

GREEN ON whenever sunlight is available for battery charging.

GREEN FAST FLASHING when battery over voltage.

Please refer to section 5 for troubleshooting.

Charging Status LED indicator

Table 4-1

Color	Indicator	Charging Status
Green	On Solid	Charging
Green	Fast Flashing	Battery over voltage

### ● Battery Status indicator

GREEN ON when battery voltage in normal range

GREEN SLOWLY FLASHING when battery full

ORANGE ON when battery under voltage

RED ON when battery over discharged

Please refer to section 5 for troubleshooting.

Battery status LED indicator

Table 4-2

Color	Indicator	Battery Status
Green	On solid	Normal
Green	Slowly Flashing	Full
Orange	On solid	Under voltage
Red	On solid	Over discharged

● **Load status indicator:**

When the load current is 1.25times of rated current for 60 seconds, or the load current is 1.5 times of rated current for 5 seconds (overload); or load current is more than 3.5 times of rated current(Short Circuit) ,the load status indictor will be red and flashing. Please refer to section 5 for trouble shooting.

Color	indictor	Load status
Red	flashing	Overload or short circuit

● **Overheating protection indicator:**

When heat sink of the controller exceeds 85 ℃, the controller will automatically cut input and output circuit, Sealed, Gel, Flooded indicator will be red and flashing simultaneously. Please refer to section 5 for trouble shooting.

Color	indictor	System status
Red	Sealed、Gel、 Flooded flashing simultaneously	Controller overheating

## 4.4 Setting Operation

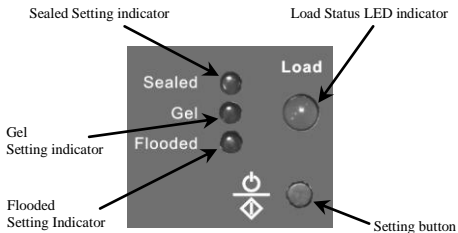


Figure 4-3 Setting operation indicating

### • Load Work Mode Setting

When the controller is powered on, press the setting button to control the load output. Press the button once, the ON/OFF status will be changed corresponding.

### • Battery Type Setting

Press the setting button for more than 5 seconds, the original battery type indicator will be flashing. Then press the setting button to choose Sealed, Gel, and Flooded battery type. The setting is finished till the digital tube stop flashing.

Battery type selection

Table4-5

Battery type	LED indicator
Sealed lead acid battery	Sealed
Gel battery	Gel
Flooded battery	Flooded

# 5 Protection, Troubleshooting and Maintenance

## 5.1 Protection

### **PV Array Short Circuit**

If PV array short circuit occurs, clear it to resume normal operation.

### **Load Overload**

If the load current exceeds the maximum load current rating, the controller will disconnect the load. Overloading must be cleared up through reapply power or pressing the setting button.

### **Load Short Circuit**

Fully protected against load wiring short-circuit. After one automatic load reconnect attempt, the fault must be cleared by reapply power or pressing the setting switch.

### **PV Reverse Polarity**

Fully protection against PV reverse polarity, no damage to the controller will result. Correct the miswire to resume normal operation.

### **Battery Reverse Polarity**

Fully protection against battery reverse polarity, no damage to the controller will result. Correct the miswire to resume normal operation.

### **Damaged Local Temperature Sensor**

If the temperature sensor short-circuited or damaged, the controller will be charging or discharging at the default temperature 25°C to prevent the battery damaged from overcharging or over discharged.

### **Overheating Protection**

If the temperature of the controller heat sink exceeds 85°C, the controller will automatically start the overheating protection.

### **High Voltage Transients**

PV is protected against high voltage transients. In lightning prone areas, additional external suppression is recommended.

## 5.2 Troubleshooting

Trouble Shooting

Table 5-1

Faults	Possible reasons	Troubleshooting
Charging LED indicator off during daytime when sunshine falls on PV modules properly.	PV array disconnection	Check that PV and battery wire connections are correct and tight.
Green charging LED indicator fast flashing	Battery voltage higher than over voltage disconnect voltage(OVD)	Check if battery voltage over high. Disconnect the solar module
Battery LED indicators orange	Battery under voltage	Load output is normal, charging LED indicator will return to green automatically when fully charged.
Battery LED indicators RED color and loads not working.	Battery over discharged	The controller cut off the output automatically, LED indicator will return to green automatically when fully charged.

Load status indicator red and flashing	Over load or short circuit	<p>Overload: reduce the load and press the button once, the controller will resume to work after 3s;</p> <p>Short circuit: when the first short-circuit occurs, the controller will automatically resume to work after 10s; when a second short-circuit occurs, press the button, the controller will resume to work after 3s.</p>
Sealed, Gel, Flooded indicator flashing simultaneously	Too high temperature of controller	When heat sink of the controller exceeds 85 °C, the controller will automatically cut input and output circuit. When the temperature below 75°C, the controller will resume to work

**Notes: No LED indicator.**



**Measure battery voltage with multimeter.**

**Min.6V can start up the controller.**

**Notes: No charging status LED indicator with normal connection.**



**Measure the input voltage of solar module, the input voltage must be higher than battery voltage!**

## 5.3 Maintenance

The following inspections and maintenance tasks are recommended at least two times per year for best controller performance.

- Check that the controller is securely mounted in a clean and dry environment.
- Check that the air flow and ventilation around the controller is not blocked. Clear all dirt or fragments on the heat sink.
- Check all the naked wires to make sure insulation is not damaged for serious solarization, frictional wear, dryness, insects or rats etc. Maintain or replace the wires if necessary.
- Tighten all the terminals. Inspect for loose, broken, or burnt wire connections.
- Check and confirm that LED digital tube is consistent with required. Pay attention to any troubleshooting or error indication .Take necessary corrective action.
- Confirm that all the system components are ground connected tightly and correctly.
- Confirm that all the terminals have no corrosion, insulation damaged, high temperature or burnt/discolored sign, tighten terminal screws to the suggested torque.
- Inspect for dirt, insects and corrosion, and clear up.
- Check and confirm that lightning arrester is in good condition. Replace a new one in time to avoid damaging of the controller and even other equipments.



**Notes: Dangerous with electric shock!**

**Make sure that all power source of controller is cut off when operate above processes, and then make inspection or other operations !**

## 6 Warranty

The SeaStar charge controller is warranted to be free from defects for a period of Two (2) years from the date of shipment to the original end user. We will, at its option, repair or replace any such defective products.

### • **Claim procedure:**

Before requesting warranty service, check the Operation Manual to be certain that there is a problem with the controller. Return the defective product to us with shipping charges prepaid if problem cannot be solved. Provide proof of date and place of purchase. To obtain rapid service under this warranty, the returned products must include the model, serial number and detailed reason for the failure, the module type and size, type of batteries and system loads. This information is critical to a rapid disposition of your warranty claim.

### • **This warranty does not apply under the following conditions:**

1. Damage by accident, negligence, abuse or improper use.
2. PV or load current exceeding the ratings of product.
3. Unauthorized product modification or attempted repair
4. Damaged occurring during shipment.
5. Damage results from acts of nature such as lightning, weather extremes
6. Irreclaimable mechanical damage.



## 7 Technical specifications

Electrical Parameters

Table 7-1

Description	Parameter
Nominal System Voltage	12 / 24VDC Auto work
Maximum Battery Voltage	32V
Rated Battery Current	SS1024 10A SS1524 15A SS2024 20A
Charge Circuit Voltage Drop	$\leq 0.26V$
Discharge Circuit Voltage Drop	$\leq 0.15V$
Self-consumption	$\leq 6mA$

Temperature Compensation Coefficient

Table7-2

Description	Parameter
Temperature Compensation Coefficient(TEMPCO)*	-30mV/°C/12V(25°C ref)

\* Compensation of equalize, boost, float and low voltage disconnect voltage.

Charging Parameters			
Battery charging setting	Gel	Sealed	Flooded
Over Voltage Disconnect Voltage	16V; x2/24V	16V; x2/24V	16V; x2/24V
Charging Limit Voltage	15.5V;x2/24V	15.5V;x2/24V	15.5V;x2/24V
Over Voltage Reconnect Voltage	15V; x2/24V	15V; x2/24V	15V; x2/24V
Equalize Charging Voltage	-----	14.6V;x2/24V	14.8V;x2/24V
Boost Charging Voltage	14.2V;x2/24V	14.4V;x2/24V	14.6V;x2/24V
Float Charging Voltage	13.8V;x2/24V	13.8V;x2/24V	13.8V;x2/24V
Boost Reconnect Charging Voltage	13.2V;x2/24V	13.2V;x2/24V	13.2V;x2/24V
Low Voltage Reconnect Voltage	12.6V;x2/24V	12.6V;x2/24V	12.6V;x2/24V
Under Voltage Warning Reconnect Voltage	12.2V;x2/24V	12.2V;x2/24V	12.2V;x2/24V
Under Voltage Warning Voltage	12V; x2/24V	12V; x2/24V	12V; x2/24V
Low Voltage Disconnect Voltage	11.1V;x2/24V	11.1V;x2/24V	11.1V;x2/24V
Discharging Limit Voltage	10.8V;x2/24V	10.8V;x2/24V	10.8V;x2/24V
Equalize Duration	-----	2 hours	2 hours
Boost Duration	2 hours	2 hours	2 hours

Environmental parameters

Table 7-4

Environmental parameters	Parameter
Working temperature	-35°C to +55°C
Storage temperature	-35°C to +80°C

SS1024 Mechanical parameters

Table 7-5

Mechanical Parameter	Parameter
Overall dimension	132(5.2)x70.5(2.77)x30(1.18) mm/inches
Mounting dimension	122(4.8) x 40(1.57) mm/inches
Mounting hole size	Φ4.5
Terminal	6mm <sup>2</sup>
Net weight	0.15kg

SS1524 &amp; SS2024 Mechanical Parameters

Table 7-6

Mechanical Parameter	Parameter
Overall dimension	137(5.4)x86(3.39)x48(1.89) mm/inches
Mounting dimension	127(5)x50(1.97) mm/inches
Mounting hole size	Φ4.5
Terminal	10mm <sup>2</sup>
Net weight	0.25kg

**Final interpretation right of the manual belongs to our company.**

**Any changes without prior notice!**

mm(inches)

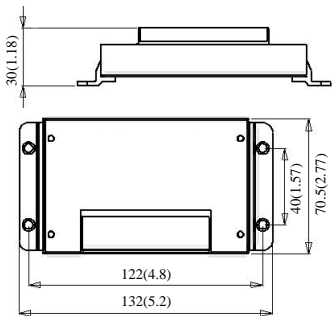


Figure1 SS1024 Dimensions

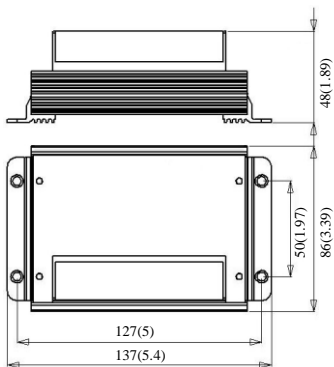


Figure2 SS1524 & SS2024 Dimensions









BEIJING EPSOLAR TECHNOLOGY CO., LTD.

Tel: 010-82894112 / 82894962

Fax: 010-82894882

E-mail: [info@epsolarpv.com](mailto:info@epsolarpv.com)

Website: [www.epsolarpv.com](http://www.epsolarpv.com)

